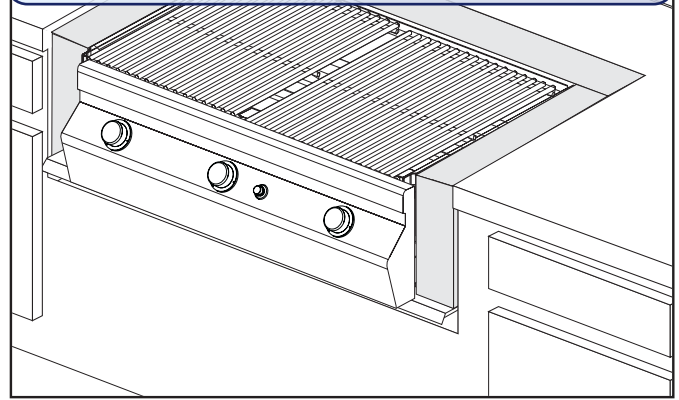


**BARBECUE  
INSULATING  
LINER BOX  
for Combustible  
Enclosures**

**REVIEWED**

*By amorales at 11:19 am, 3/1/05*



Peterson products are carefully engineered to provide you the greatest safety possible. This stainless steel trimmed insulating liner box permits you to install your Fire Magic Gas Barbecue in a combustibile enclosure, such as a wood cabinet or with a combustibile countertop, with complete confidence in its safe performance. The box provides protective insulation on all sides of the barbecue (left, right, rear, and bottom) for a slide-in installation.

**Installation & Care**

**Code requirements** must be observed whenever outdoor built-in gas appliances are installed. Check with your local building department for local codes and ordinances that apply to outdoor gas barbecues. **Installation should be performed by a qualified, professional installer.** When properly installed, Fire Magic Barbecues and Insulating Liner Boxes conform with National **ANSI Standard Z21.58.**

**Proper ventilation** must be maintained for the optimal performance of your Fire Magic Gas Barbecue. Be sure that there is no obstruction of the air flow. Obstructed airflow causes overheating and poor combustion. Be certain that the air vents remain open. The front air intake opening is along the bottom of the barbecue's front panel. You must keep the front air space clear to admit vital airflow to the barbecue, but also to permit easy access to the drip tray.

**WARNING:**  
THIS INSULATING LINER IS  
NOT FOR USE WITH  
CHARCOAL BURNING BARBECUES.

We reserve the right to amend product specifications without prior notice.

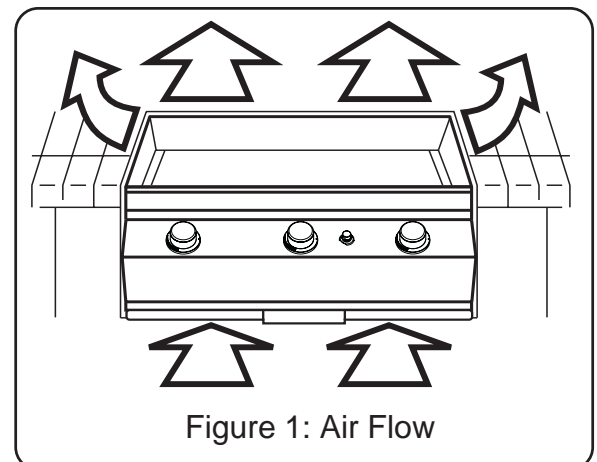


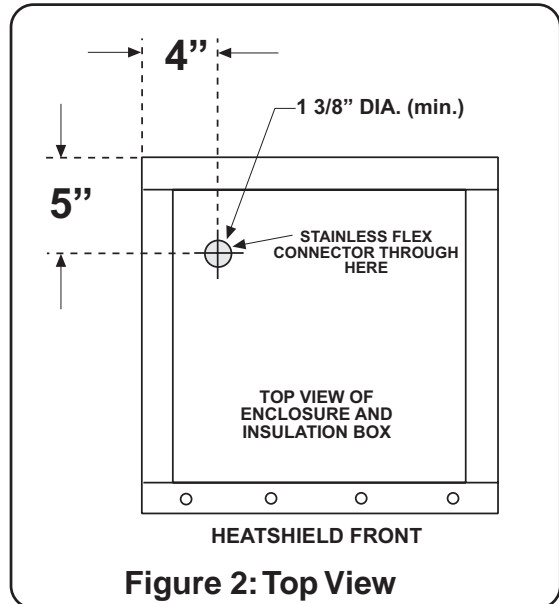
Figure 1: Air Flow

This manual may not be copied, photocopied, reproduced, translated, or published in any electronic or machine-readable form in whole or in part without prior written approval of Robert H. Peterson Co.

ROBERT H. PETERSON CO. 14724 East Proctor Avenue, City of Industry, CA 91746

**Enclosures built of wood or other combustible materials** must include the proper space for your insulating box. A support shelf or ledge below the countertop is not needed to support the barbecue and insulating box. The two hangers provided will support the box.

**Propane gas** is heavier than air. To prevent invisible combustible gases from accumulating in your barbecue enclosure, you must provide ventilation. This is accomplished by **EITHER** one side of the tank enclosure left completely open to the outside **OR** providing four (4) ventilation openings, each one a minimum of 10 square inches (64.5 cm<sup>2</sup>). Two openings are to be at the tank valve level (Approx. 16" above the floor) and on opposite sides of the enclosure, with two more openings at floor level and on opposite sides of the enclosure. The floor level openings must start at the floor and shall extend no higher than 5" above the floor. **FOR YOUR SAFETY**, you must provide these openings for drainage, replacement air and cross ventilation to allow any leaking propane gas vapor to escape. To achieve the proper ventilation you may drill a series of holes in the cabinet at the proper locations. If the floor of the cabinet is raised and space beneath the cabinet is **open to the outside**, the lower ventilation openings may be in the floor.



**Plumbing Requirements:** A rigid 1/2" or 3/4" black steel pipe should be used to conduct the gas supply into the enclosure for connection to the barbecue. A minimum 1 3/8" diameter hole is required in the barbecue support shelf (if provided) at the rear left corner, set in 4 inches from the left side and 5 inches from the rear, to line up with the hole in the insulation box (see Figure 2). Use a CSA approved stainless steel flex connector to link the barbecue to the gas line.

**Never use a rubber hose to connect to your barbecue.**

For pipe connections, use joint compounds that are resistant to all gasses on all male pipe fittings. Tighten each joint securely. Do not use pipe joint compound to connect flare fittings. Check all connections for leaks with a soapy water solution prior to use.

### **To install the insulating box:**

**Step 1.** Position the rear hanger/support 2" from the rear wall of your enclosure and 1/2" down from the level of the counter top. Fasten securely in place with flat head screws (not provided) into the sides on the enclosure.

**Step 2.** Position the front hanger/support 3" from the front of the enclosure. Secure into place with flat head screws into the sides of the enclosure.

**Note:** If you already have a lower support shelf, follow the detailed instructions above, however you do not need to secure the hangers to the enclosure.

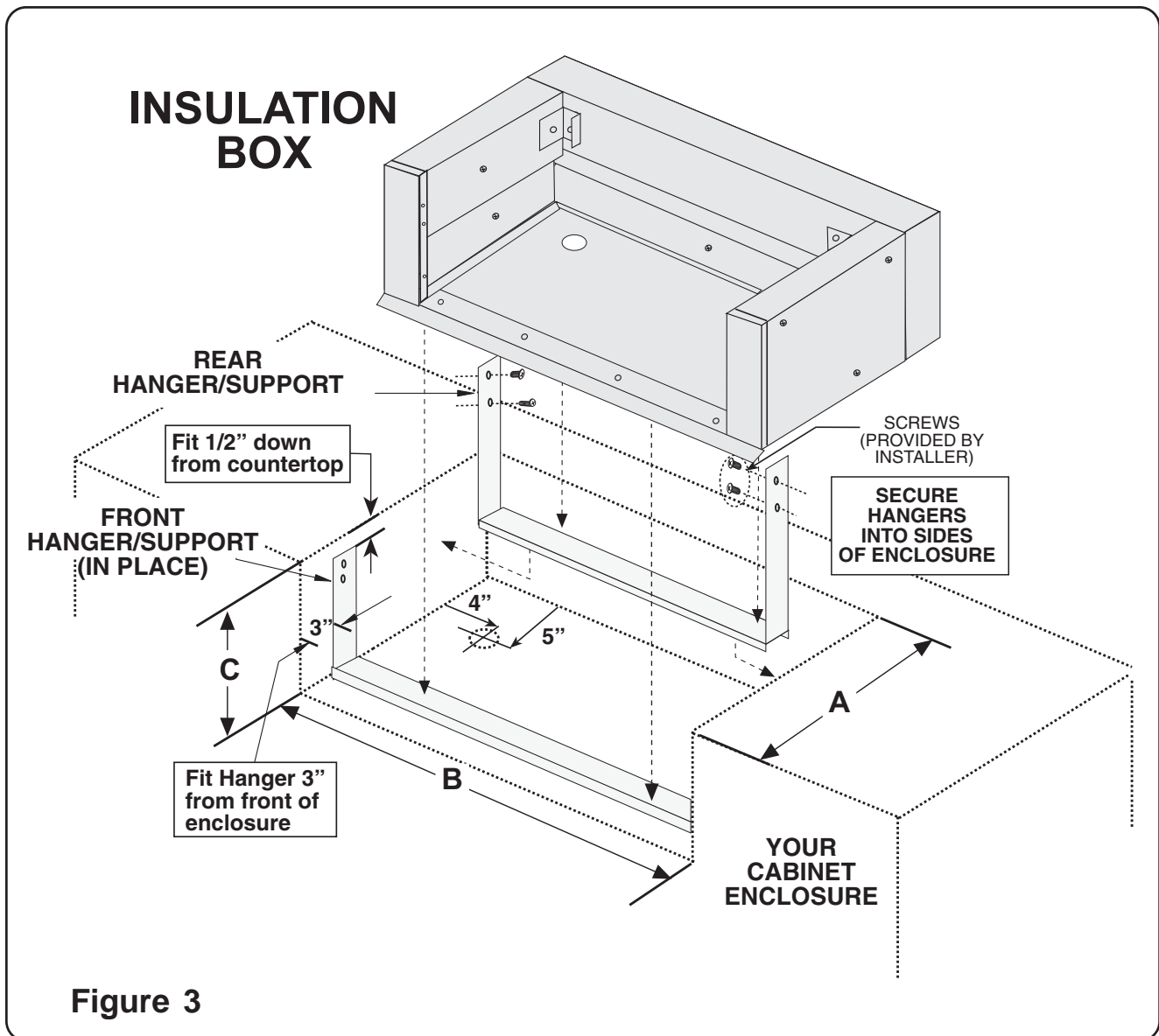
**Step 3.** Place the insulating box on top of the hangers (as shown below). Place the insulating box tight up to the back of the cabinet opening.

## MODELS

BARBECUE MODEL	BOX MODEL #	ROUGH CABINET OPENING A X B X C (depth) x (width) x (height)
DELUXE	3100-50	19 1/2" X 28" X 13"
CUSTOM I	3130-50	21 1/2" X 29 1/2" X 13"
CUSTOM II	3125-50	25 1/2" X 29 1/2" X 13"
REGAL I	3150-50	21 1/2" X 35 1/2" X 13"
REGAL II	3175-50	25 1/2" X 35 1/2" X 13"
MONARCH	3188-50	25 1/2" X 41 1/2" X 13"
ELITE	3189-50	25 1/2" X 53 5/8" X 13"
DBL SIDEBURNER	3281-50	25 1/2" X 15 1/2" X 13"
PWR BURNER	3278-50	21 1/2" X 22 3/4" X 13"

Dimensions shown (A, B & C) are for cabinet openings for barbecue and liner. The dimensions do not include additional allowance for countertops or cabinet facings (see Figure 3).

**Note:** Each insulating box is designed to fit an enclosure for a specific Fire Magic Barbecue model.



**Figure 3**

**Countertops and cabinet faces made of combustible material**, such as wood, formica and corian can extend up against the outside walls of the panels and be joined to the metal trim (approximately a 1/8" space) by a bead of silicone sealer rated for 400°F or higher, as in Figure 4. Never build over the insulating box with combustible materials as this will interfere with the hanger which is attached to your slide-in barbecue

**CAUTION: Do not extend flammable or less heat resistant countertop or cabinet face materials beyond the outside wall of the panels. Seal the 1/8" space to the metal trim with silicone sealer.**

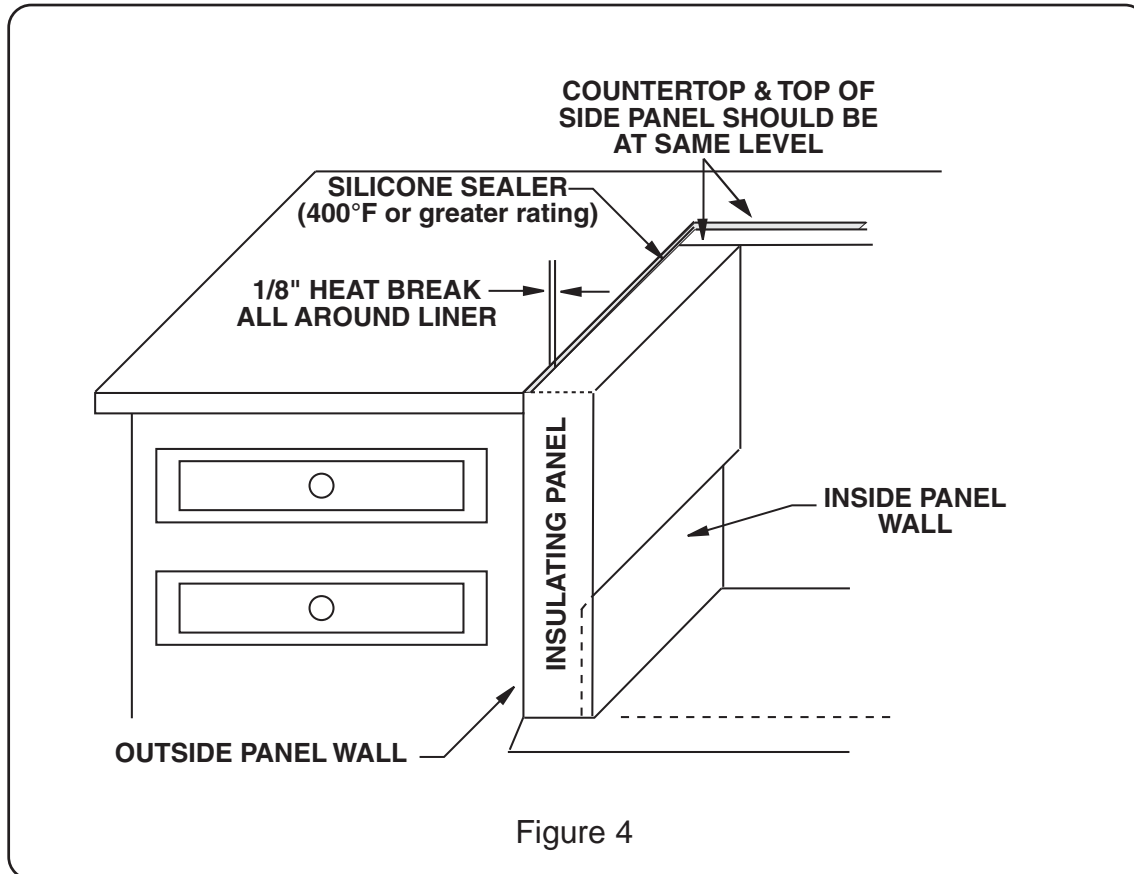


Figure 4

**To install and operate** your Fire Magic Barbecue, please refer to the installation and operating instructions and safety precautions shipped with your barbecue unit.

**IMPORTANT:** Your barbecue hanger should not extend beyond the insulating box. The hanger on the barbecue unit must **ONLY** touch the insulating box.

**DO NOT ALLOW THE HANGER TO COME IN CONTACT WITH THE COUNTERTOP OR ANY COMBUSTIBLE SURFACE.**

**Replacement parts** may be obtained from your local Fire Magic Dealer. For assistance in finding a dealer, you may contact the factory at the address listed below.

**ROBERT H. PETERSON CO.**

Quality Check

Date: \_\_\_\_\_

Orifice # (Main): \_\_\_\_\_

Orifice # (Other): \_\_\_\_\_

Model #: \_\_\_\_\_

Leak Test: \_\_\_\_\_

Serial #: \_\_\_\_\_

Burn Test: \_\_\_\_\_

Air Shutter: \_\_\_\_\_

Gas Type: **NAT. / PROPANE**

Inspector: \_\_\_\_\_

ROBERT H. PETERSON CO. 14724 East Proctor Avenue, City of Industry, CA 91746